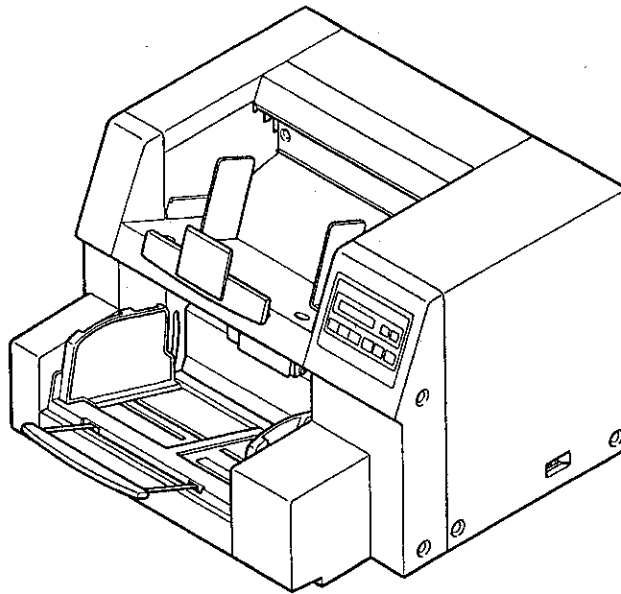


Panasonic

High Speed Scanner

Installation Manual

Model No. **KV-SS855D**
KV-SS855DU



This manual contains the information on installing the scanner. Please read this manual first.

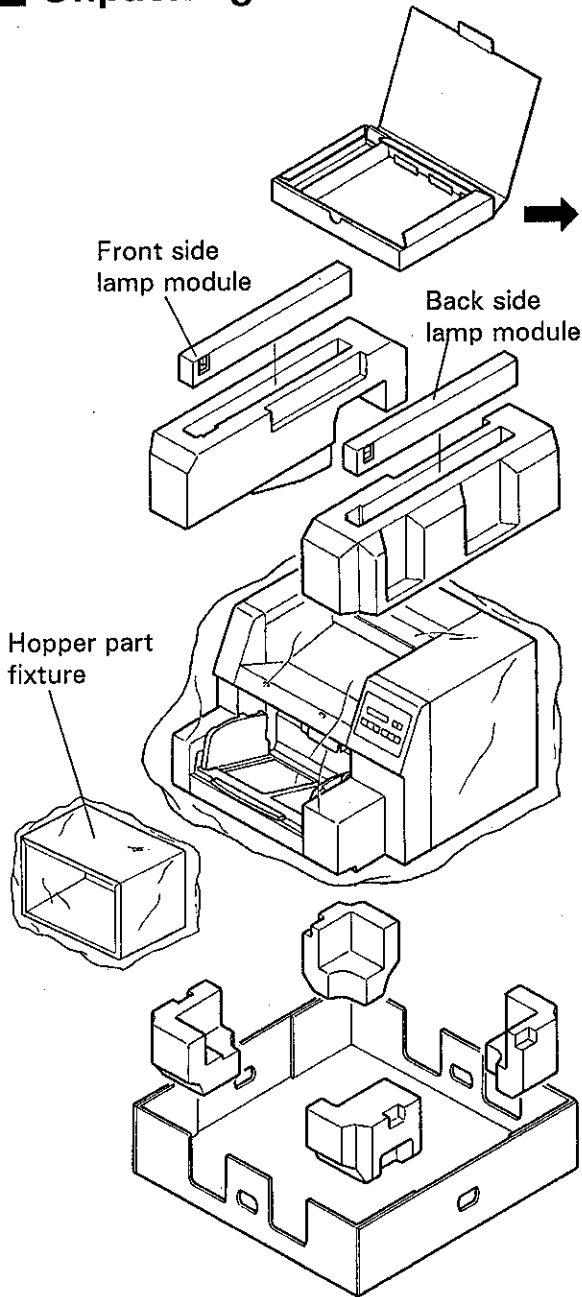
For the information on operating the scanner, please read the operating instructions enclosed with this unit.

For the information on maintaining the scanner, please read the maintenance manual enclosed with this unit.

Please read all sections of this manual, the enclosed operating instructions and maintenance manual completely before using this product.

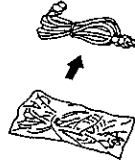
Keep all documentation regarding this product in a safe place for future reference.

■ Unpacking



The package box includes the parts noted below; please confirm that all parts are present before beginning installation.

Power cord
[KV-SS855DU]
only: 2 pieces



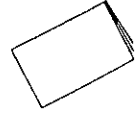
Driver software, etc.
(CD-ROM)



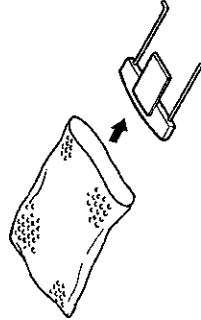
Blower



Operating Instructions
Installation manual
Maintenance manual



Exit tray stopper



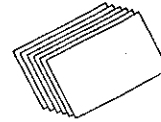
Exit tray guide
(3 pieces)



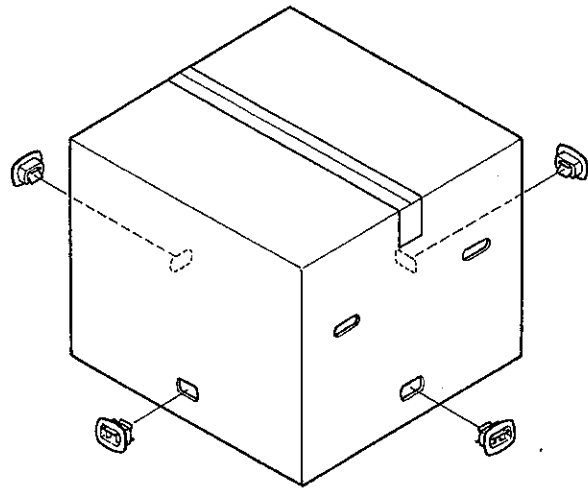
Roller cleaning paper
(3 pieces)



Patch sheet
(6 pieces)



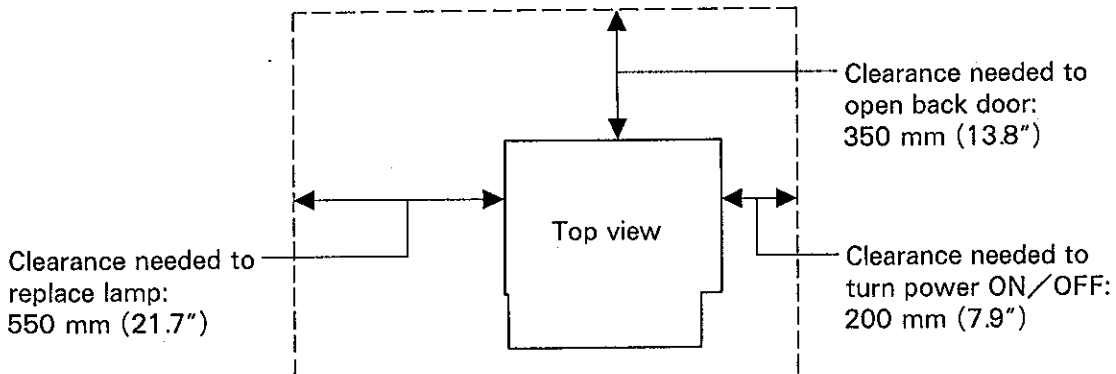
Warranty card
(KV-SS855D only)



It is highly recommended that you keep the original carton and ALL packing materials since they are necessary when repacking.

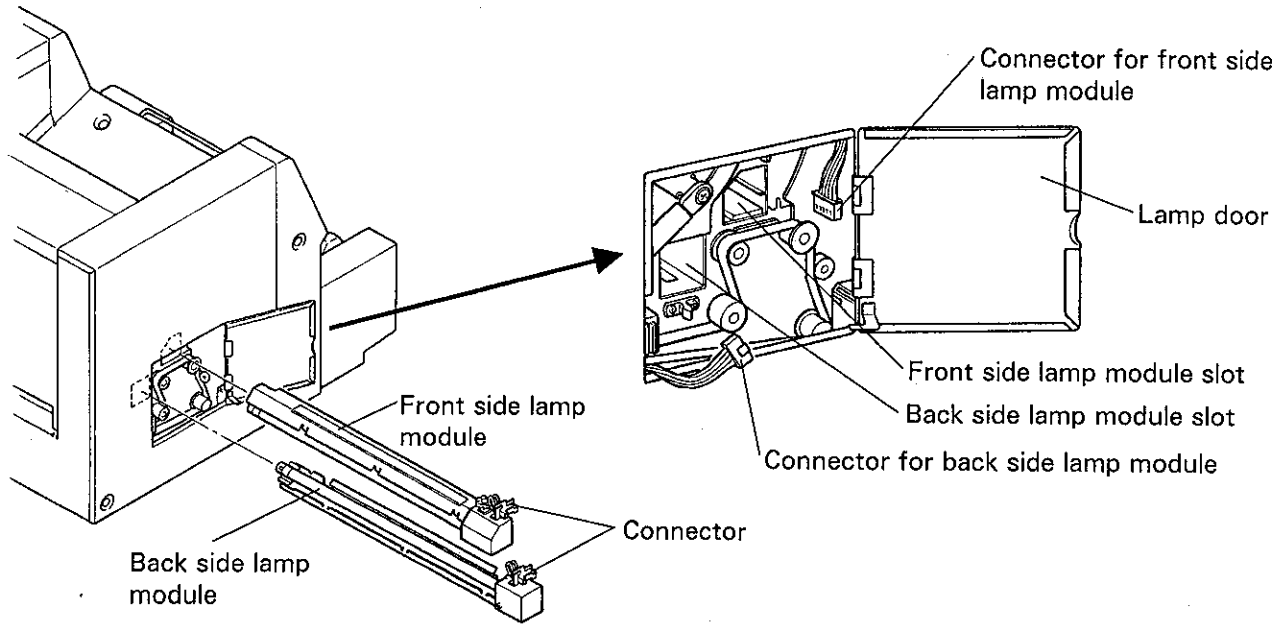
■ Minimum Space Requirements

Be sure to maintain the recommended space requirements for proper ventilation.



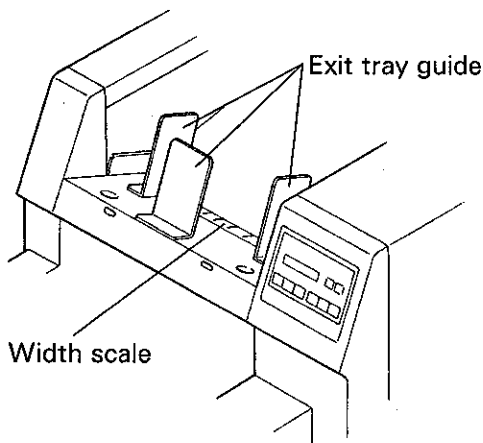
■ Installing the Lamp

Consult with your service person to install the lamp modules.



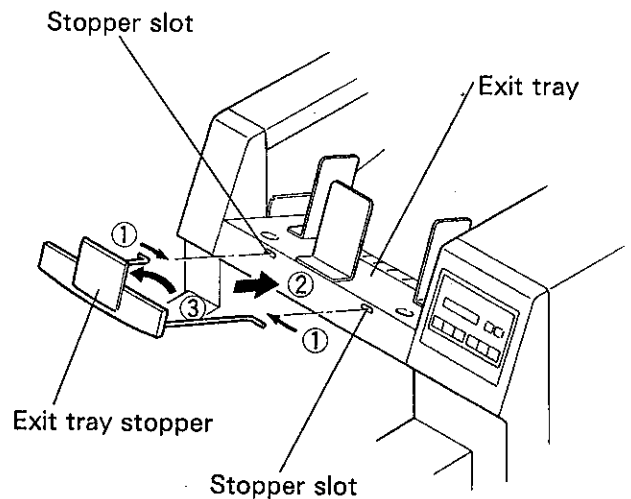
- 1** Open the lamp door.
 - 2** Insert the front side lamp module in the front side lamp module slot until the "click" is heard.
 - 3** Insert the back side lamp module in the back side lamp module slot until the "click" is heard.
 - 4** Connect each lamp cable to each connector.
 - 5** Close the lamp door.
- After replacing the lamp, learn the "Replace X-Lamp" display. (Refer to page 20 of operating instructions.)

■ Installing the Exit Tray Guides and Stoppers



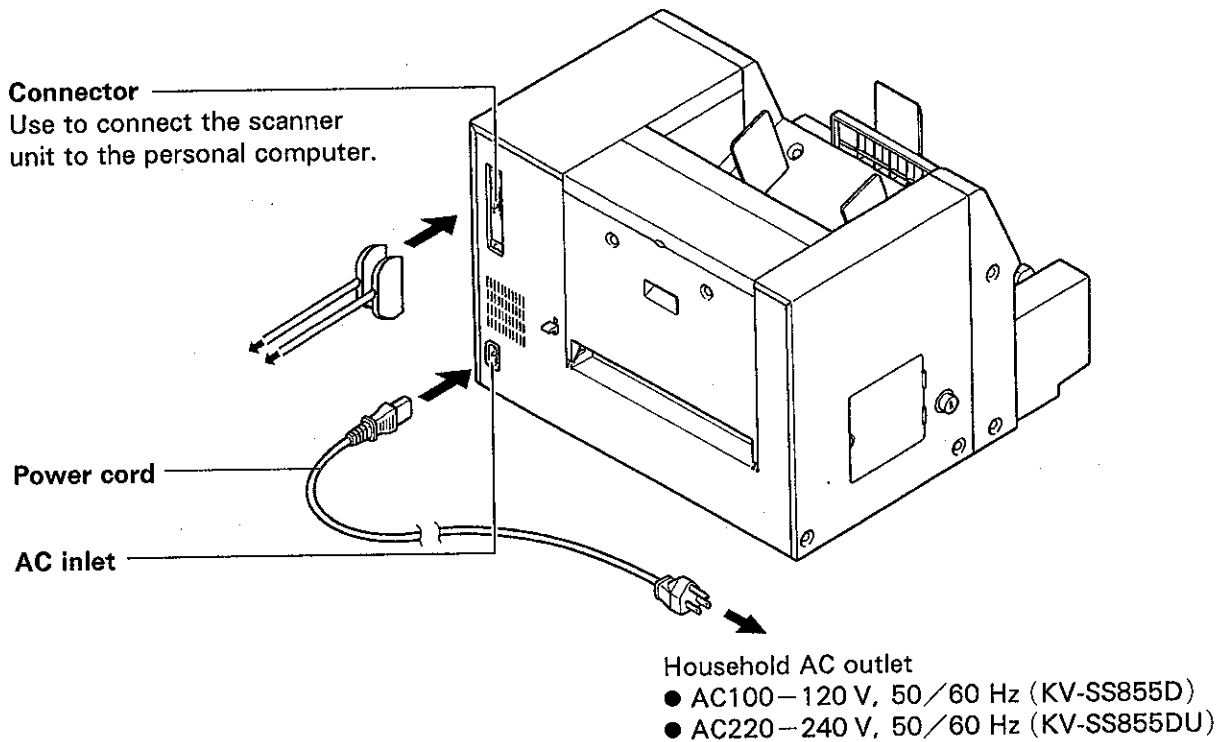
Position the exit tray guides against the document width scale. (Secure the guides in place.)

- Use the exit tray guides when needed.



Push the ends of the exit tray stopper wires slightly together, and insert them into the stopper slots of the exit tray. Then pull up the plastic part of exit tray stopper. (Install the exit tray stopper in the sequence of ① through ③.)

■ Connecting the Unit to a Personal Computer



Caution:

Set the power switch at the scanner and at the host computer to OFF before connecting the interface cable. The product should be used only with the power cord that is supplied by the manufacturer and the interface cable that is sealed.

This Installation Manual is printed on recycled paper.

Panasonic Document Imaging Company
A Division of Matsushita Electric Corporation of America
Two Panasonic Way, Secaucus, New Jersey 07094

Panasonic Canada Inc.
5770 Ambler Drive, Mississauga, Ontario, L4W 2T3

Matsushita Electric Industrial Co., Ltd.
Central P. O. BOX 288, Osaka 530-91, Japan

© 1999 Kyushu Matsushita Electric Co., Ltd. All Rights Reserved.

